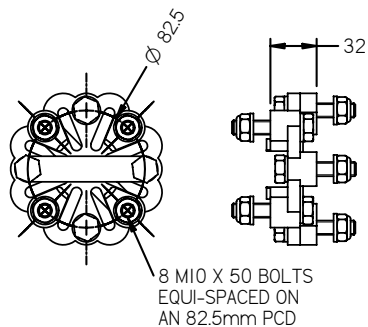
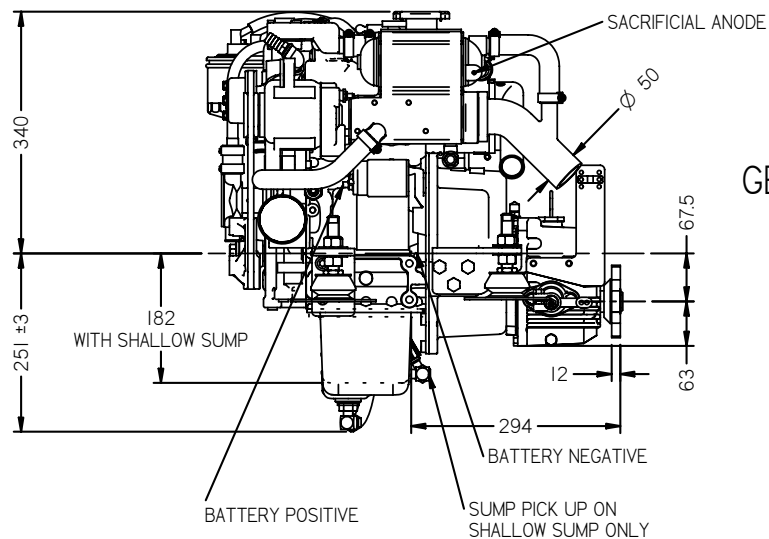
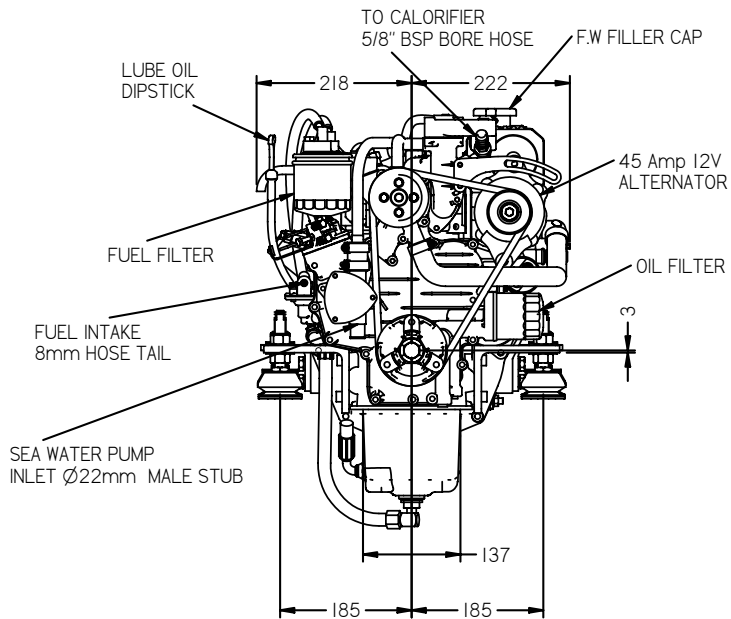
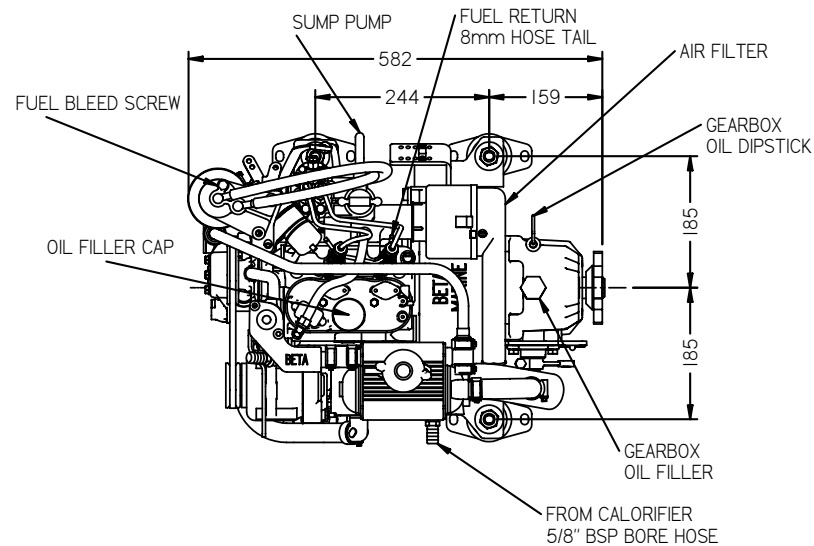
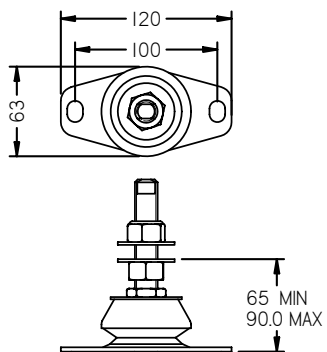


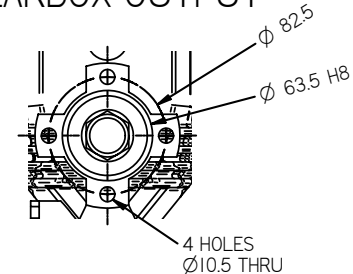
FLEXIBLE COUPLING DETAILS



FLEXIBLE MOUNT DETAILS



GEARBOX OUTPUT



REV	DESCRIPTION	DATE	APP'D	DRAWN	NOTES
01	NEW TITLE BLOCK	15-01-04	LT	TW	
02	BATTERY CONNECTIONS AND WASTING ANODE	11-10-04	LT	TW	
03	FUEL FILTER, H/E TANK AND AIR FILTER	25-07-05	LT	TW	
04	CALORIFIERS AND THERZ CLOSED BREATHER	20/12/05		TW	

DIMENSIONS IN MM (INCH)
DO NOT SCALE

BETA MARINE LTD.
MERRETT'S MILLS,
BATH ROAD,
SOUTH WOODCHESTER,
STROUD, GLOS. GL5 5EU

TEL: (01453) 835282 FAX: (01453) 835284

TITLE

**BZ482 HEAT EXCHANGE
TMC40 GEARBOX**

DRAWN BY: TW
CHECKED BY: -

SIZE A4
SCALE NTS

DWG NO. 100-06019
PAGE 1 of 1

REV 04
DATE 20/12/2005