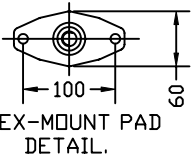
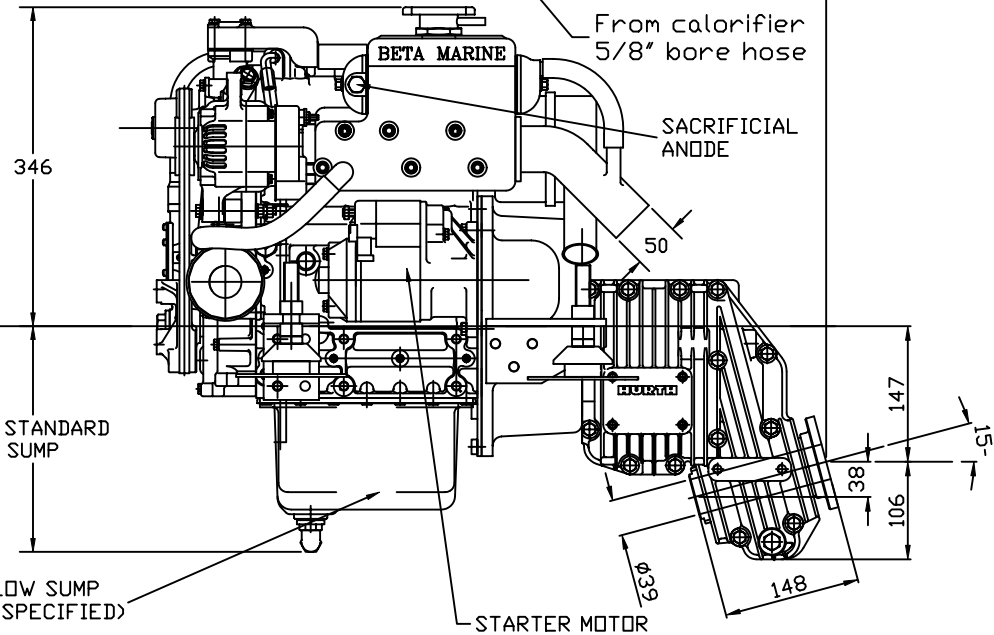
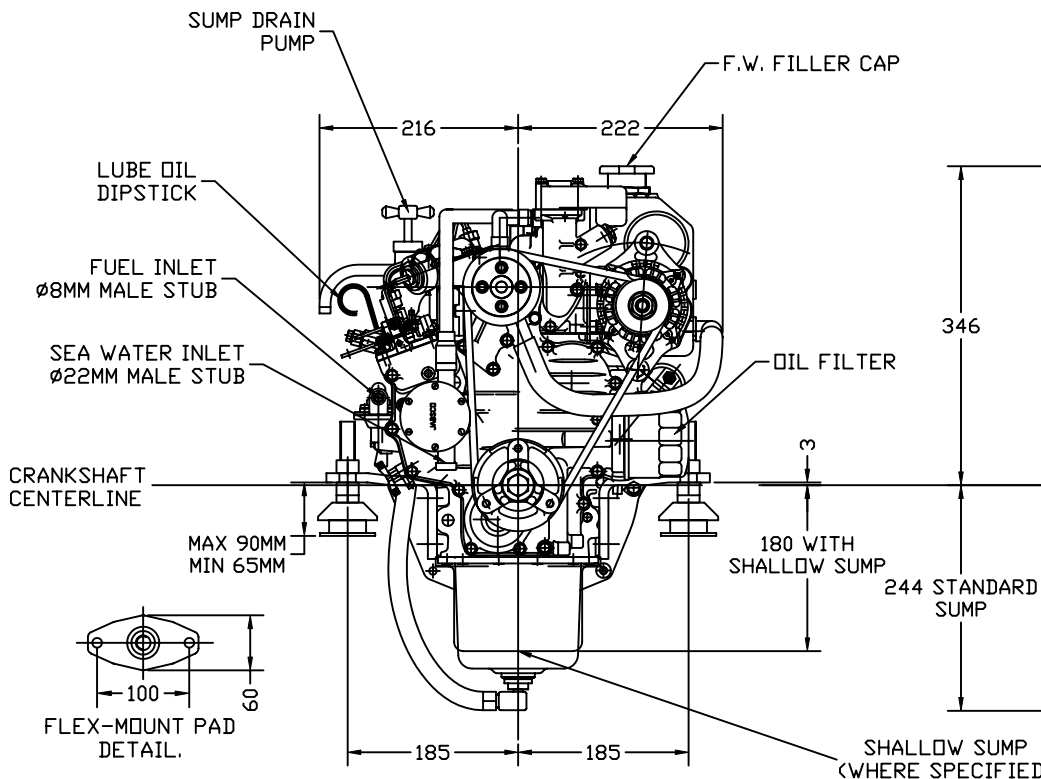
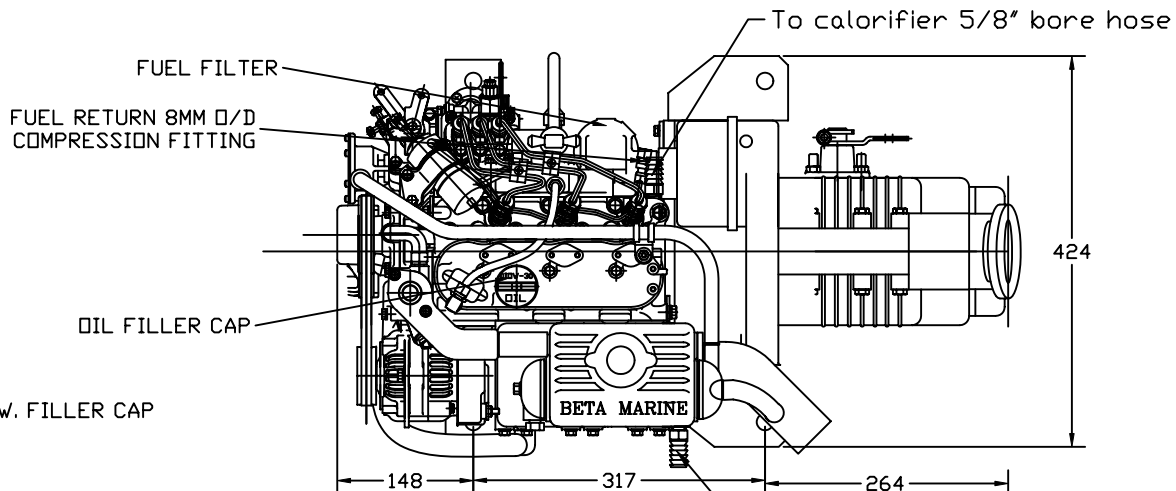
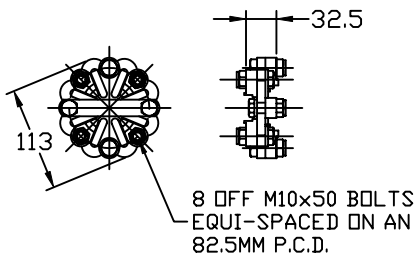


DETAIL OF FLEXIBLE COUPLING



REV	DESCRIPTION	DATE	APP'D	DRAWN	NOTES
01					

TITLE: BD722 HEAT EXCHANGE WITH A ZF15MIV (HBW150V) GEARBOX

DIMENSIONS IN MM (INCH) DO NOT SCALE

**BETA MARINE**

BETA MARINE LTD,  
MERRETS MILLS,  
BATH ROAD,  
SOUTH WOODCHESTER,  
STROUD, GLOS. GL5 5EU

DRAWN BY: TW  
CHECKED BY: LT

SIZE A4  
DWG NO. 100-06487  
SCALE NTS  
PAGE 1 of 1  
DATE 03/05/05

REV