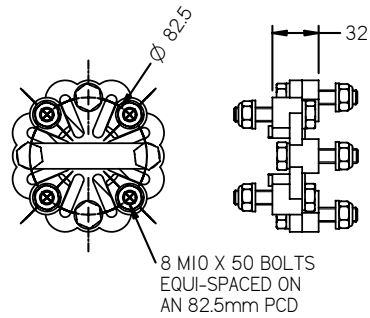
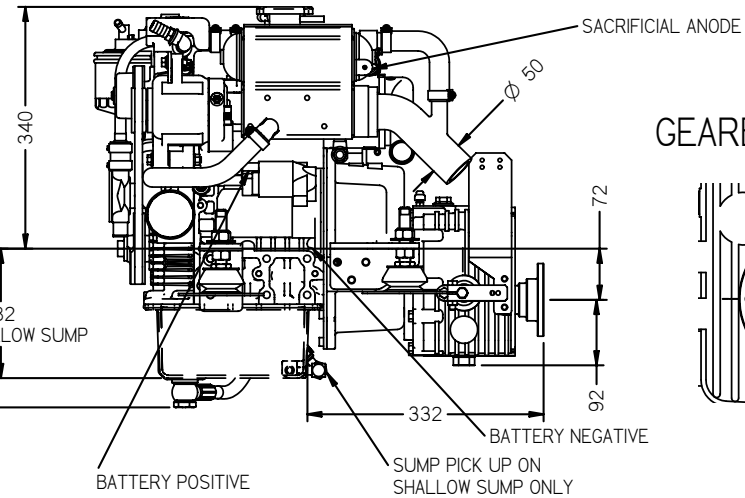
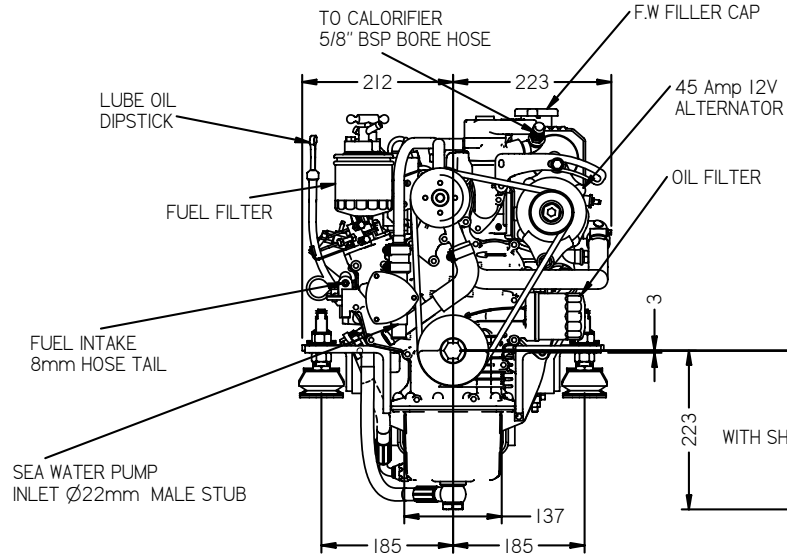
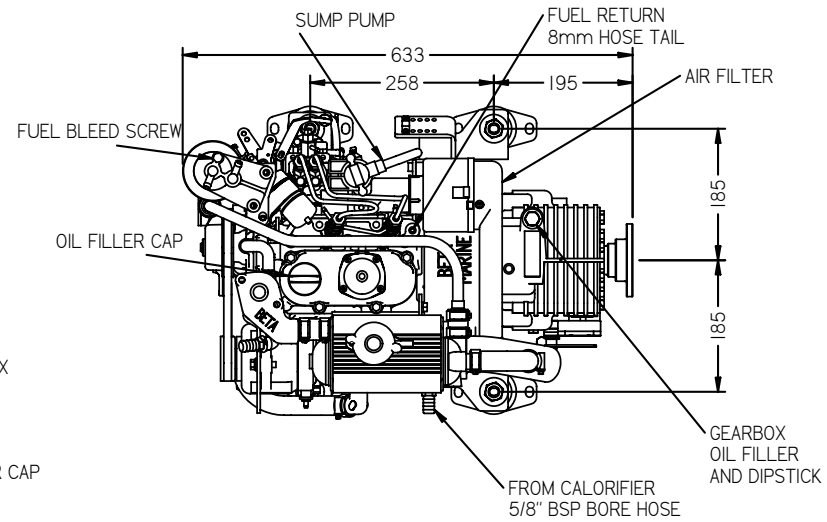
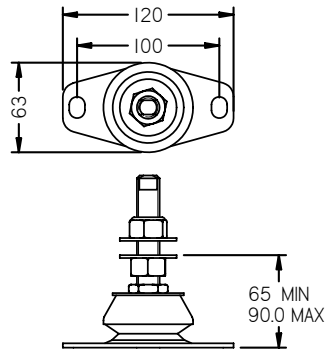


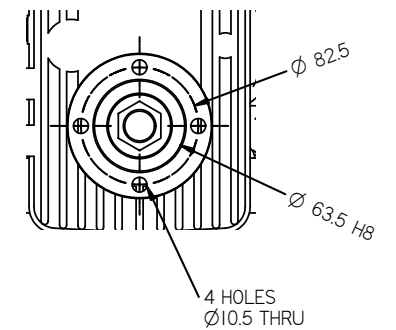
FLEXIBLE COUPLING DETAILS



FLEXIBLE MOUNT DETAILS



GEARBOX OUTPUT



REV	DESCRIPTION	DATE	APP'D	DRAWN
01				

NOTES

TITLE **BETA 16 (BZ602) HEAT EXCHANGE  
PRM80 GEARBOX**

DIMENSIONS IN MM (INCH)  
DO NOT SCALE



BETA MARINE LTD.  
MERRETT'S MILLS,  
BATH ROAD,  
SOUTH WOODCHESTER,  
STROUD, GLOS. GL5 5EU

DRAWN BY: TW  
CHECKED BY: LT

SIZE A4 DWG NO. **100-06860** REV 00  
SCALE PAGE 1 of 1 DATE 21/09/2006