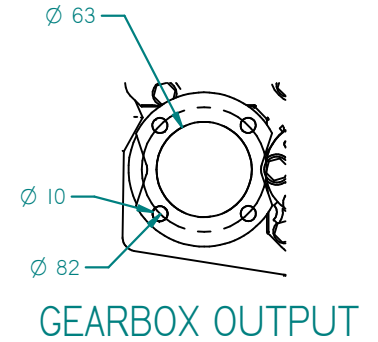
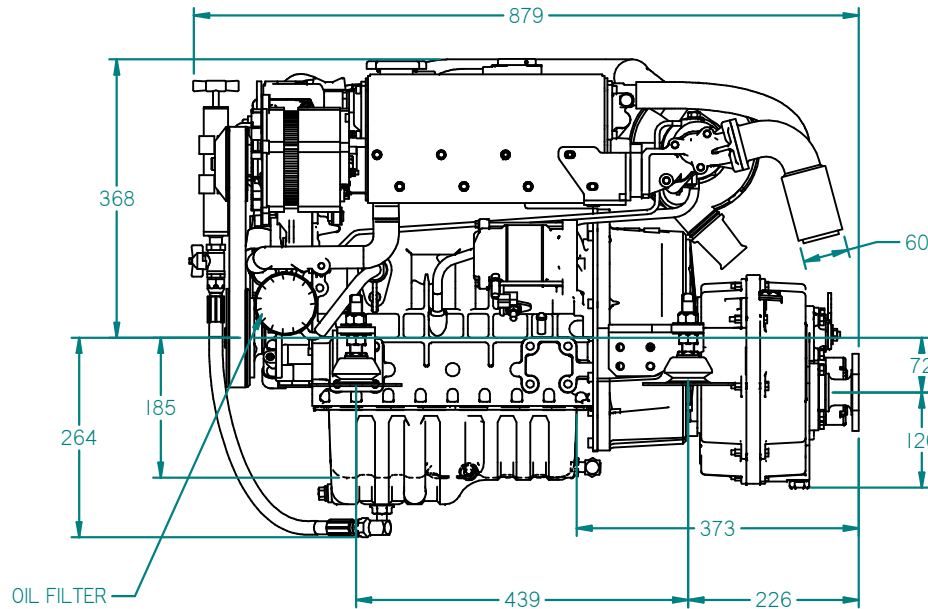
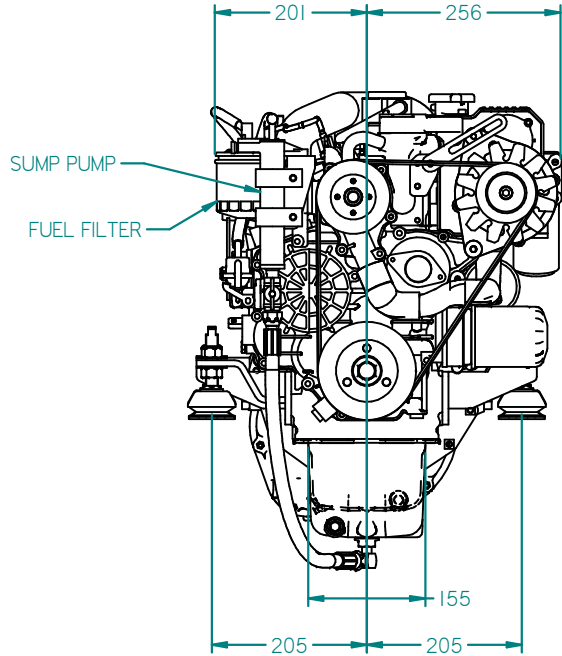
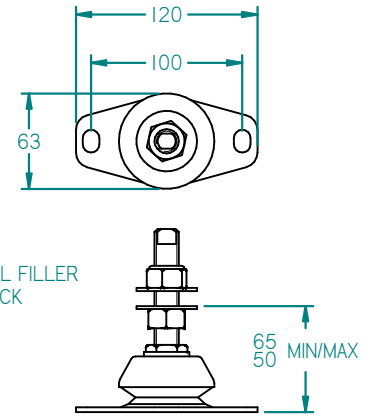


FLEXIBLE MOUNT DETAILS



REV	DESCRIPTION	DATE	APP'D	DRAWN	NOTES
01					

TITLE: BETA45T HEAT EXCAHNGE PRM150 GEARBOX

DIMENSIONS IN MM (INCH) DO NOT SCALE

PART FILE NAME: Beta 45 HE PRM150 100-11010 REV01.asm

BETA MARINE

TEL: (01452) 723492

FAX: (01452) 729916

BETA MARINE LTD,
DAVY WAY,
WATERWELLS,
QUEDGELEY,
GLOUCESTER. GL2 2AD, UK

DRAWN BY: TW
CHECKED BY: LT

SIZE: A4
SCALE: NTS

DWG NO: 100-11010

PAGE 1 of 1

REV 01
DATE 06/09/2017